

TECHNICAL ADVICE DOCUMENT

Scrap bales - Load restraint

1. This Technical Advice Document applies to:

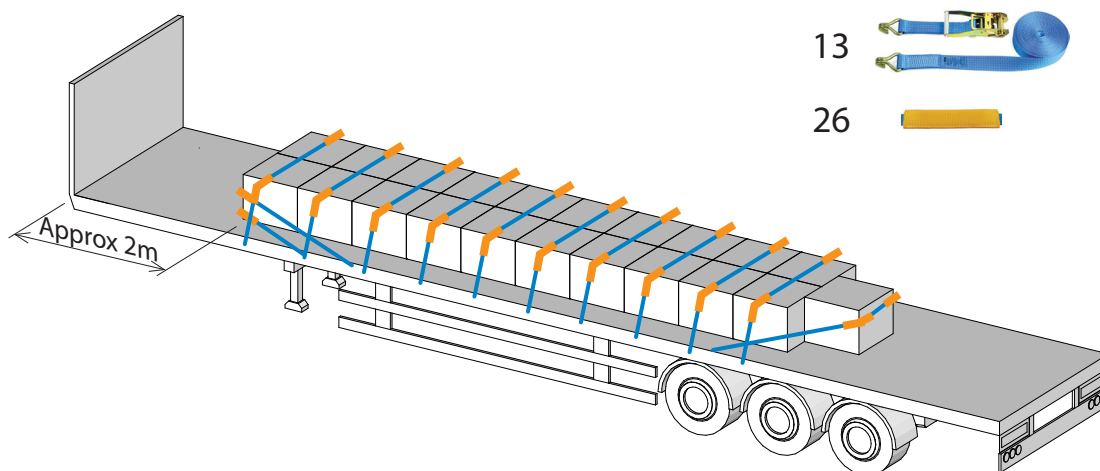
- Transport of 1.2 tonne scrap bales on the Port Talbot site.

2. Essential requirements

- Scrap bales must be stable and remain a unitised load, with no danger of individual parts coming loose.
- All restraint equipment must be inspected before use and be in good condition - see relevant Technical Information Sheets for Webbing Straps and Edge Protection.
- All webbing straps must have a minimum lashing capacity of 2000 daN, and be compliant with EN 12195-2.
- Edge protection must be applied to webbing straps at all sharp or abrasive edges, including trailer chassis frame and side rails.

3. Load configuration and restraint

3.1 Loaded 2 abreast away from the headboard

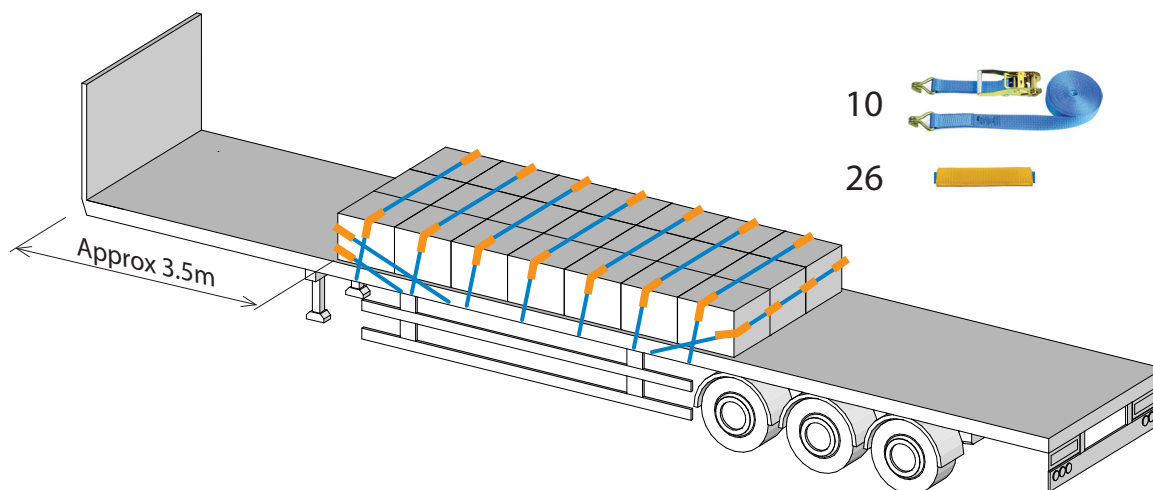


- ✓ Front bales loaded approximately 2m from the headboard to achieve axle loadings.
- ✓ Subsequent bales loaded tight against, with no gaps.
- ✓ 2 straps around the front of the load.
- ✓ 1 lashing over-the-top of each row with 2 scrap bales.
- ✓ 1 strap around the back of the load.

TECHNICAL ADVICE DOCUMENT

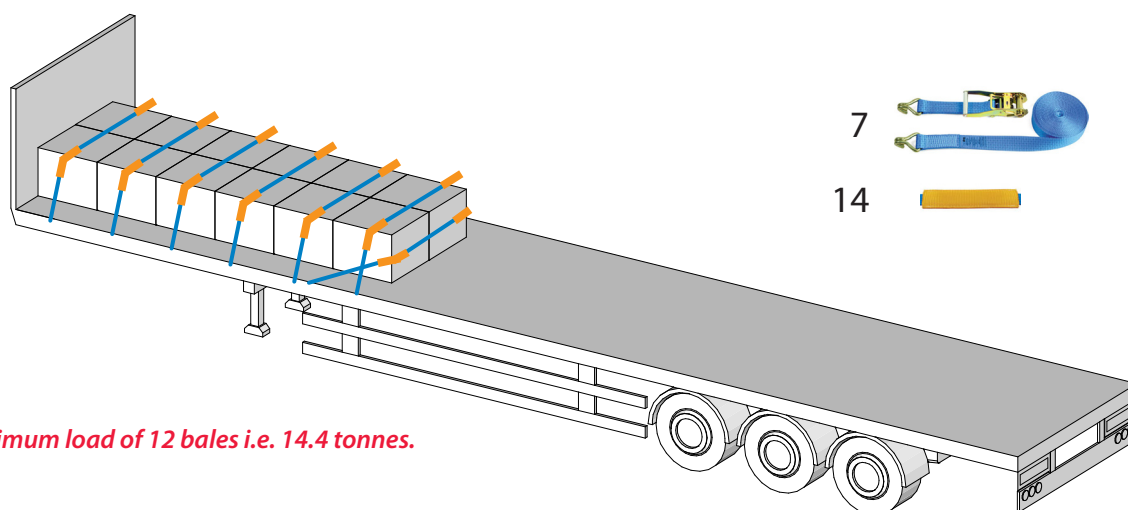
Scrap bales - Load restraint

3.2 Loaded 3 abreast away from the headboard



- ✓ Front bales loaded approximately 3.5 m from the headboard to achieve axle loadings.
- ✓ Subsequent bales loaded tight against, with no gaps.
- ✓ 2 straps around the front of the load.
- ✓ 1 lashing over-the-top of each row of scrap bales.
- ✓ 1 strap around the back of the load.

3.3 Loaded 2 abreast to the headboard



Note: Maximum load of 12 bales i.e. 14.4 tonnes.

4. Edge protection

- Suitable edge protection is required at all points of contact between webbing strap and product.
- Recommended types of edge protection are moulded plastic corner protectors or heavy duty webbing sleeves.

